



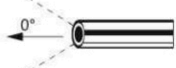




KIFER
MEDICAL

CATALOGO

2017

• SURGERY •








LAPAROSCOPY INSTRUMENTS




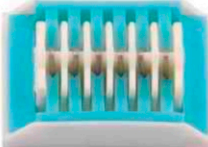
| | | | |
|-----------------------------------------------------------------------------------|-----------------------------------------------------------------------------------|---------------------------------------------------------------------------------------------------------|-------------------------------------------------------------------------------------|
|  | 05-0001.1 0° Φ10×330mm 05-0004.1 0° Φ5×302mm 134° C2bar Autoclave | 1. OLYMPUS Connecting to OLYMPUS light guide cable STORZ Connecting to STORZ light guide cable |  |
|  | 05-0007 0° Φ10×330mm Wide angle 05-0021 0° Φ10×330mm 134° C2bar Autoclave | | |
| | 05-0002.1 30° Φ10×330mm 05-0005.1 30° Φ5×302mm 134° C2bar Autoclave | 3. ACMI STRYKER Connecting to ACMI, STRYKER light guide cable |  |
| | 05-0008 30° Φ10×330mm Wide angle 05-0022 30° Φ10×330mm 134° C2bar Autoclave | |  |




Laparoscope




05-0018.2
Laparoscope(Side-viewing)
0° Φ11×276mm

Φ10×330mm Clip applicator

| | | | | |
|-------------------------------------------------------------------------------------|-------------------------------------------------------------------------------------|-------------------------------------------------------------------------------------|--------------------------------------------------------------------------------------|---------------------------------------------------------------------------------------|
|  |  |  |  |  |
| 05-2001.1 Single action 05-2001.5 Detachable, single action | 05-2001.2 Double action | 05-2001.3 Right angle | 05-2001.213 For Johnson clip | |
|  |  |  | | |
| 05-2001.8 For Plastic clip 05-2001.11 Φ10×330mm | 05-2001.9 For Johnson plastic clip | 05-2001.10 For weck clip | | |

| | | | |
|-------------------------------------------------------------------------------------|-------------------------------------------------------------------------------------|-------------------------------------------------------------------------------------|--------------------------------------------------------------------------------------|
|  |  |  |  |
| 05-5001 4#Clip | 05-5001.1 2#Clip | 05-5002 3#Clip | 05-5003 5#clip |

| | | |
|--|--------------------------------------------------------------------------------------|-------------------------|
| |  | 05-2001.11 Φ10×330mm |
| |  | 05-2001.8 Φ10×330mm |
| |  | 05-2200.2 Φ5×330mm |

| | | | | |
|-------------------------------------------------------------------------------------|-------------------------------------------------------------------------------------|-------------------------------------------------------------------------------------|---------------------------------------------------|--------------------------------------|
|  |  |  | 05-5006 05-5007 05-5008 For plastic clip | 05-2001.8 05-2001.11 05-2200.2 |
|-------------------------------------------------------------------------------------|-------------------------------------------------------------------------------------|-------------------------------------------------------------------------------------|---------------------------------------------------|--------------------------------------|

ELECTRODE



05-5010 12mm
05-5011 8mm
Absorbable clip



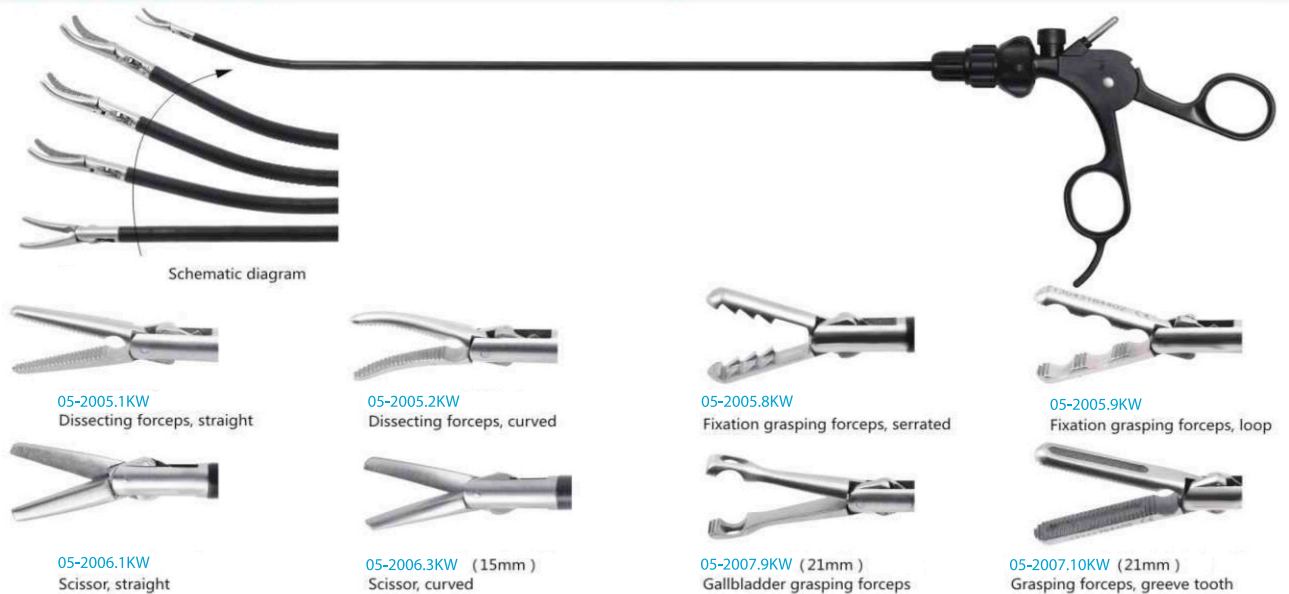
05-2001.6
Biological clip applicator
Φ10×330mm



DETACHABLE OPERATING FORCEPS



FLEXIBLE AND ROTATABLE FORCEPS



Φ 5x330mm LAPAROSCOPY INSTRUMENTS



1. Autoclave



05-9005.1 (17mm)
Dissecting forceps, straight
(Head length 17mm)



05-9005.7 (17mm)
Fixation grasping forceps, crocodile
(Head length 17mm)



05-9006.3 (15mm)
Scissor, curved
(Head length 15mm)



05-9007.5 (15mm)
Atraumatic grasping forceps
(Head length 15mm)



05-9005.2 (17mm)
Dissecting forceps, curved
(Head length 17mm)
12/14/18/20/25mm
E2005.2C 18mm
E2005.2D 20mm



05-9005.8 (13mm)
Fixation grasping forceps, serrated
(Head length 13mm)



05-9006.4 (9mm)
Scissor, hook, Single action
(Head length 9mm)



05-9007.6 (15mm)
Grasping forceps, rat toothed
Single action
(Head length 15mm)



05-9005.3 30°(17mm)
Dissecting forceps, 30°angled
(Head length 17mm)



05-9005.9 (17mm)
Fixation grasping forceps, loop
(Head length 17mm)



05-9006.10 (16mm)
Scissor, curved, head with ball
(Head length 16mm)



05-9007.7 (10mm)
Grasping forceps, double spoon
(Head length 10mm)



05-9005.4 45°(17mm)
Dissecting forceps, 45°angled
(Head length 17mm)



05-9005.15
Grasping forceps



05-9007 (14mm)
Grasping forceps
(Head length 14mm)



05-9007.8 (18mm)
Gallbladder grasping forceps rough
toothed(Head length 18mm)



05-9005.5 70°(17mm)
Dissecting forceps, 70°angled
(Head length 17mm)



05-9006.1 (13mm)
Scissor, straight
(Head length 13mm)



05-9007.1 (17mm)
Blunt grasping forceps
(Head length 17mm)



05-9007.9 (21mm)
Gallbladder grasping forceps
toothed(Head length 21mm)



05-9005.6 90°(17mm)
Dissecting forceps, 90°angled
(Head length 17mm)
E2035 13mm (Head length 13mm)



05-9006.2 (13mm)
Scissor, straight, Single action
(Head length 13mm)



05-9007.4 (18mm)
Atraumatic grasping forceps Single action
(Head length 18mm)



05-9007.10 (21mm)
Grasping forceps, greeve tooth
(Head length 21mm)

Φ 5x330mm LAPAROSCOPY INSTRUMENTS



05-9007.11 (21mm)
Grasping forceps
(Head length 21mm)



05-9007.20 (15mm)
Grasping forceps Single action
(Head length 15mm)



05-9007.31 (22mm)
Grasping forceps, round spoon head
(Head length 22mm)



05-9007.39 (21mm)
Grasping forceps, tough tooth, hollow
(Head length 21mm)



05-9007.12 (32mm)
Grasping forceps Single action
(Head length 32mm)



05-9007.21 (22mm)
Grasping forceps
(Head length 22mm)



05-9007.32 (21mm)
Single tooth grasping forceps
(Head length 21mm)



05-9007.41
Grasping forceps



05-9007.13 (25mm)
Grasping forceps, flask style
(Head length 25mm)



05-9007.22 (21mm)
Appendix grasping forceps
(Head length 21mm)



05-9007.33
Grasping forceps



05-9007.42
Grasping forceps



05-9007.14 (30mm)
Grasping forceps, clasping
(Head length 30mm)



05-9007.23 (30mm)
Atraumatic grasping forceps
(Head length 30 mm)



05-9007.34
Grasping forceps



05-9018A6 (32mm)
Lung forceps
(Head length 32mm)



05-9007.16 2×3 (30mm)
Grasping forceps 2×3 teeth, Single action
(Head length 30mm)



05-9007.24 (14mm)
Grasping forceps, blunt-pointed
With nail(Head length 14mm)



05-9007.34A
Stomach grasping forceps



05-9007.43
Grasping forceps



05-9007.17 , 3×4 (30mm)
Grasping forceps 3×4 teeth, Single action
(Head length 30mm)



05-9007.25 (18mm)
Grasping forceps, heavy type
(Head length 18mm)



05-9007.35
Anastomosis traction forceps



05-9007.44
Grasping forceps



05-9007.18 Allie (30mm)
Atraumatic grasping forceps, Allie
(Head length 30mm)



05-9007.26 2×3(18mm)
Grasping forceps 2×3teeth
(Head length 18mm)



05-9007.35C
Anastomosis traction forceps



05-9007.45
Grasping forceps, reticulate



05-9007.19 (13mm)
Grasping forceps, Parker
(Head length 13mm)



05-9007.27
Grasping forceps



Grasping forceps
05-9007.36 (19mm)
(Head length 19mm)



05-9007.46
Grasping forceps

Φ 5x330mm LAPAROSCOPY INSTRUMENTS



05-9007.47
Grasping forceps



05-9020 A (17mm)
Tying forceps, type A
(Head length 17mm)



05-9022C
Intestinal forceps



05-9025 (15mm)
Grasping forceps, crocodile head
(Head length 15mm)



05-9007.48
Grasping forceps



05-9020.1 B (17mm)
Tying forceps, type B
(Head length 17mm)



05-9022D
Intestinal forceps



05-9034 (15mm)
Grasping forceps, snake
(Head length 15mm)



05-9007.49
Salpinx Grasping forceps



05-9021 (15mm)
Small biopsy forceps, single action
(Head length 15mm)



05-9024 (15mm)
Grasping forceps, bullet head
(Head length 15mm)



05-9007.91
Gallbladder grasping forceps



05-9022 (40mm)
Intestinal forceps
(Head length 40mm)



05-9024.1 (12mm)
Grasping forceps, round bullet head
with spoon (Head length 12mm)

Φ5x330mm SLIDE LAPAROSCOPY INSTRUMENTS



05-9005.2
Dissecting forceps, curved



05-9006.3
Scissor, curved



05-9007.10
Grasping forceps, greeve tooth

05-9
It can reduce the harm for tissue
code number begins with 05-2

Φ10x330mm LARGE LAPAROSCOPY INSTRUMENTS



05-9002 (27mm)
Large grasping forceps, Single action
(Head length 27mm)



05-9004 (22mm)
Large dissecting forceps, insulated
(Head length 22mm)



05-9004.2 (22mm)
Large dissecting forceps, insulated
(Head length 22mm)



05-9004.4 (30mm)
Large dissecting forceps
(Head length 30mm)



05-9003 (30mm)
Lithotomy forceps, Single action
(Head length 30mm)



05-9004.1 (22mm)
Large dissecting forceps, insulated
(Head length 22mm)



05-9004.2A , 90° (30mm)
Large dissecting forceps, insulated
(90°, Head length 30mm)



05-9004.5 (60mm)
Grasping forceps(Head length 60mm)

Ø 10x330mm LARGE LAPAROSCOPY INSTRUMENTS



05-9004.6 (23mm)
Large dissecting forceps
(Head length 23mm)



Large dissecting forceps
05-9005.410
05-9005.410A 45°



05-9007.34C
Stomach Grasping forceps



05-9008.65
Grasping forceps



05-9004.7 (30mm)
Grasping forceps, duck mouth
(Head length 30mm)



05-9006 (18mm)
Large straight Scissor
(Head length 18mm)



05-9007.34D
Stomach Grasping forceps



05-9008.66 (45mm/65mm)
Hemostatic clips



05-9004.8 (36mm)
Grasping forceps, atraumatic
Head length 36mm



05-9006.6 (24mm)
Large curved scissors
blade with teeth, single action
(Head length 24mm)



05-9007.37
Grasping forceps, single tooth



05-9018 (43mm)
Lung forceps
(Head length 43mm)



05-9004.9 (40mm)
Large dissecting forceps
(Head length 40mm)



05-9006.8 (28mm)
Large curved scissors
(Head length 28mm)



Grasping forceps
05-9007.52 05-9007.53
05-9007.54



05-9022.1 (68mm)
Intestinal forceps(Head length 68mm)



05-9004.11 (30mm)
Grasping forceps, atraumatic
Head length 30mm



05-9006.11
Large straight scissors



05-9007.9C (35mm)
Gallbladder grasping forceps
toothed(Head length 35mm)



05-9004.12 90°
Large dissecting forceps



05-9004.14
Lithotomy forceps, double action



BIPOLAR COAGULATING FORCEPS

13-1020

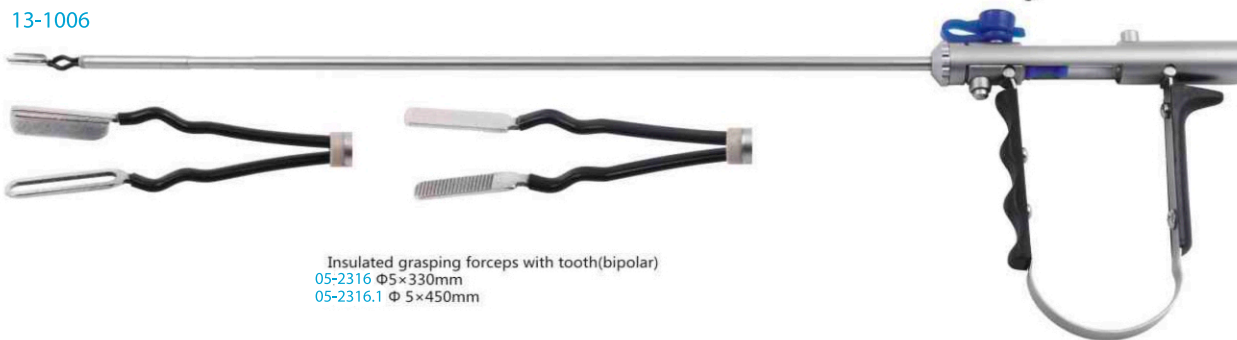


Insulated rotating dissecting forceps with tooth (bipolar, double action)
05-2312 Φ5×330mm
05-2312M Φ5×450mm

Insulated rotating Grasping forceps with tooth 15mm Bipolar double action
Head length 15mm
05-2312.1 Φ5×330mm
05-2312.1M Φ5×450mm

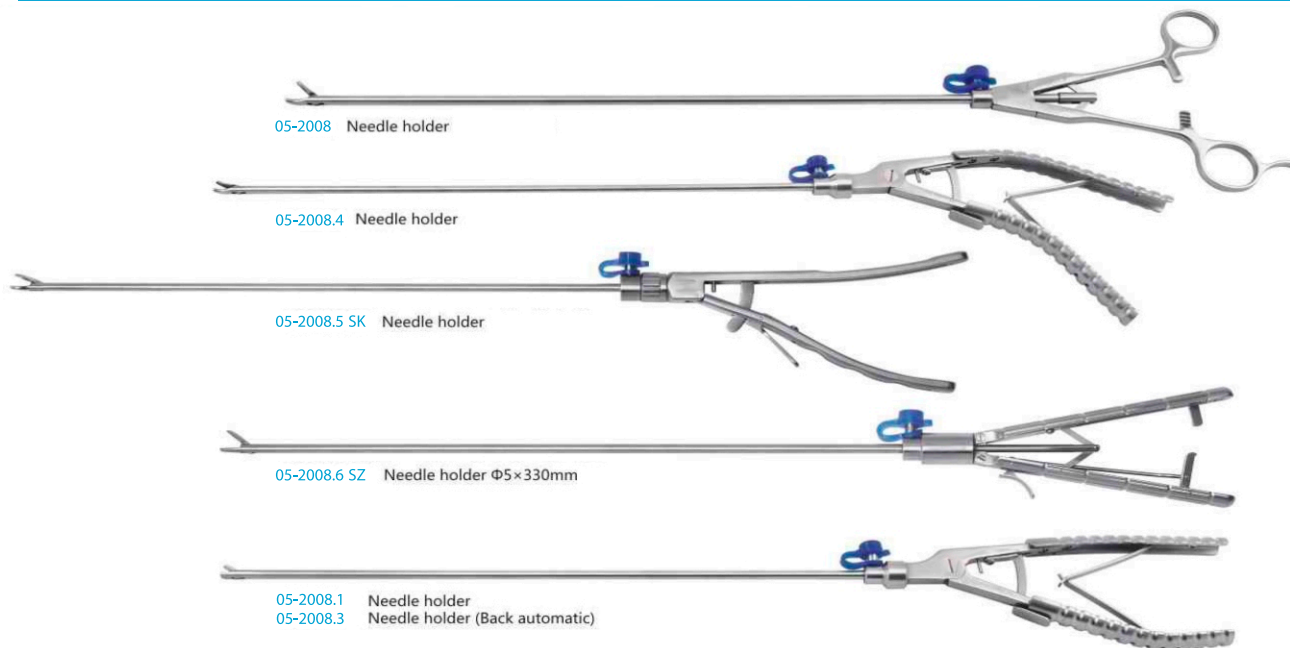
Insulated Grasping forceps with tooth Bipolar double action, greeve tooth mid-hole
05-2312.2 Φ5×330mm
05-2312.2M Φ5×450mm

13-1006



Insulated grasping forceps with tooth (bipolar)
05-2316 Φ5×330mm
05-2316.1 Φ5×450mm

Φ5x330mm (12mm) NEEDLE HOLDER (HEAD LENGHT 12mm)



05-2008 Needle holder

05-2008.4 Needle holder

05-2008.5 SK Needle holder

05-2008.6 SZ Needle holder Φ5×330mm

05-2008.1 Needle holder
05-2008.3 Needle holder (Back automatic)



Straight



Left curved

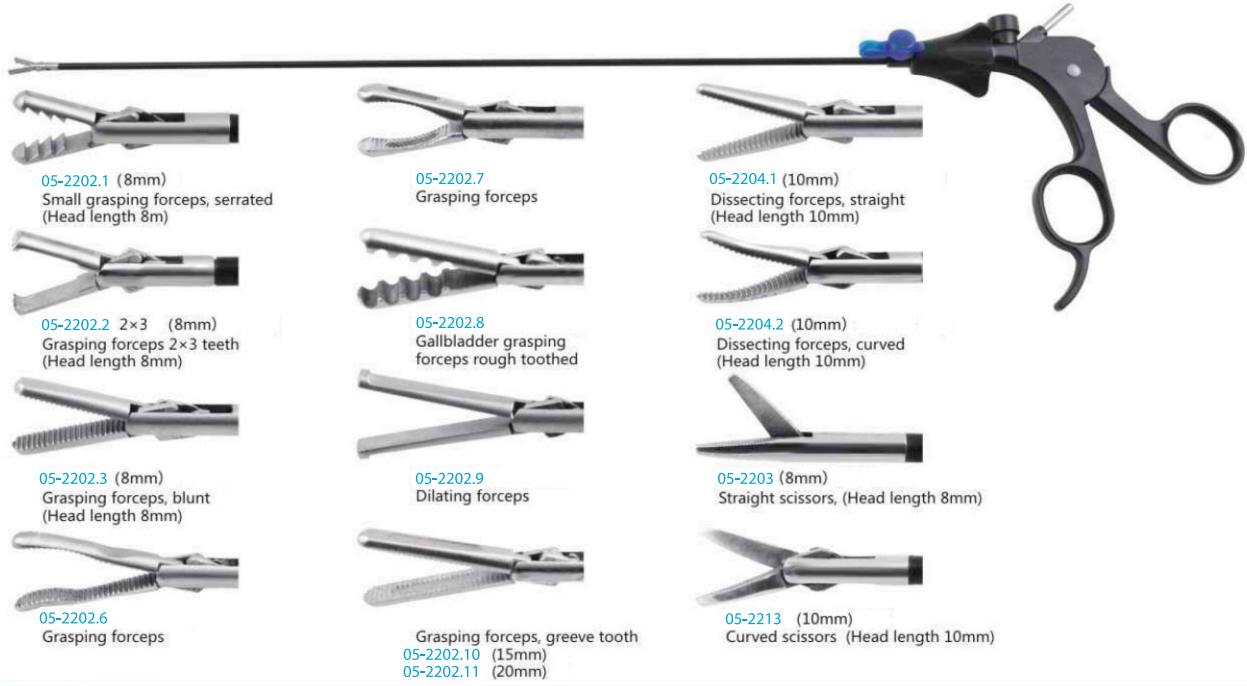


Right curved

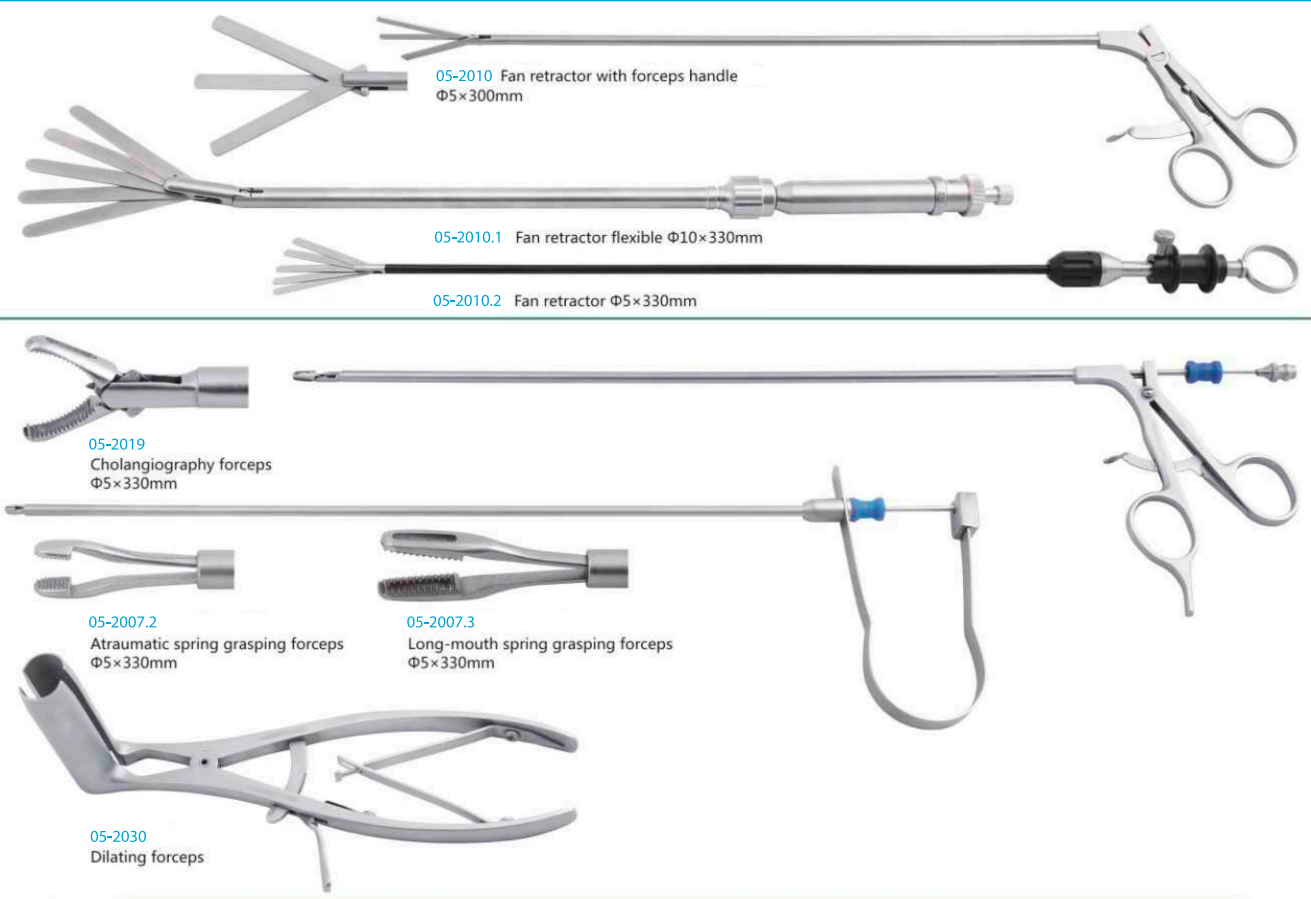


Back automatic

Φ3x330/250/220mm LAPAROSCOPY INSTRUMENTS



LAPAROSCOPY INSTRUMENTS



LAPAROSCOPY INSTRUMENTS



05-2804 without tooth up
05-2805 with tooth up
05-2804.1 without tooth down
05-2805.1 with tooth down



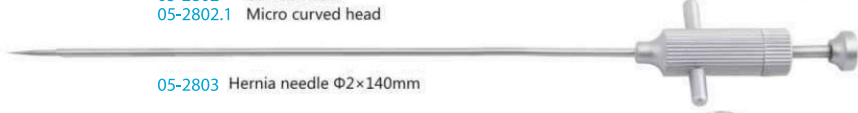
Hernia forcep $\Phi 2.5\text{mm}$



05-2801 Hernia needle $\Phi 1.5 \times 180\text{mm}$



Hernia needle $\Phi 1.5 \times 165\text{mm}$
05-2802 Curved head
05-2802.1 Micro curved head



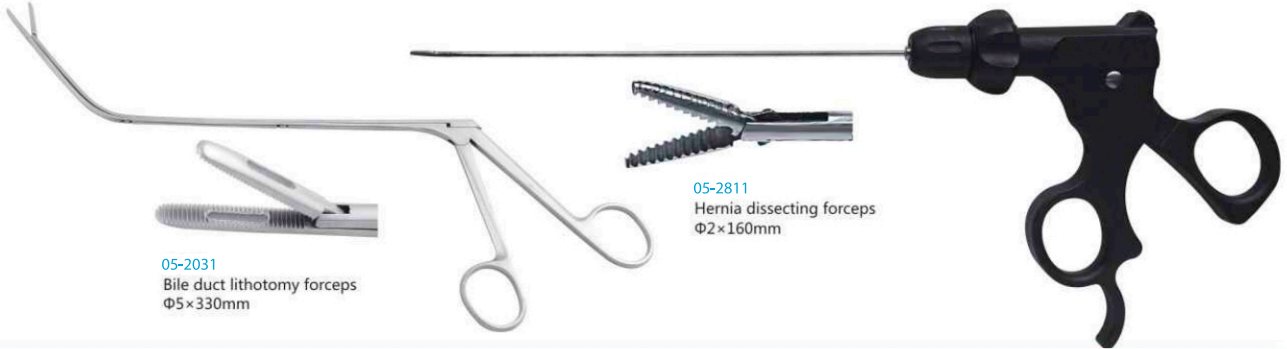
05-2803 Hernia needle $\Phi 2 \times 140\text{mm}$



05-2803.1 Hernia needle $\Phi 2.2 \times 140\text{mm}$



05-2803.2 Hernia needle $\Phi 1.5 \times 110\text{mm}$



05-2031
Bile duct lithotomy forceps
 $\Phi 5 \times 330\text{mm}$

05-2811
Hernia dissecting forceps
 $\Phi 2 \times 160\text{mm}$



Tying holder $\Phi 5 \times 330\text{mm}$



05-2009 Plastic head



05-2009 Metal head



05-2009.1



05-2009.2



Bile duct needle $\Phi 5 \times 330\text{mm}$



05-2013 $\Phi 1.8\text{mm}$
05-2013A $\Phi 1.5\text{mm}$
05-2013B $\Phi 1.2\text{mm}$
05-2013C $\Phi 1.0\text{mm}$



05-2012 Cholangiotome $\Phi 5 \times 330\text{mm}$



05-2012.1 Cholangiotome $\Phi 10 \times 330\text{mm}$

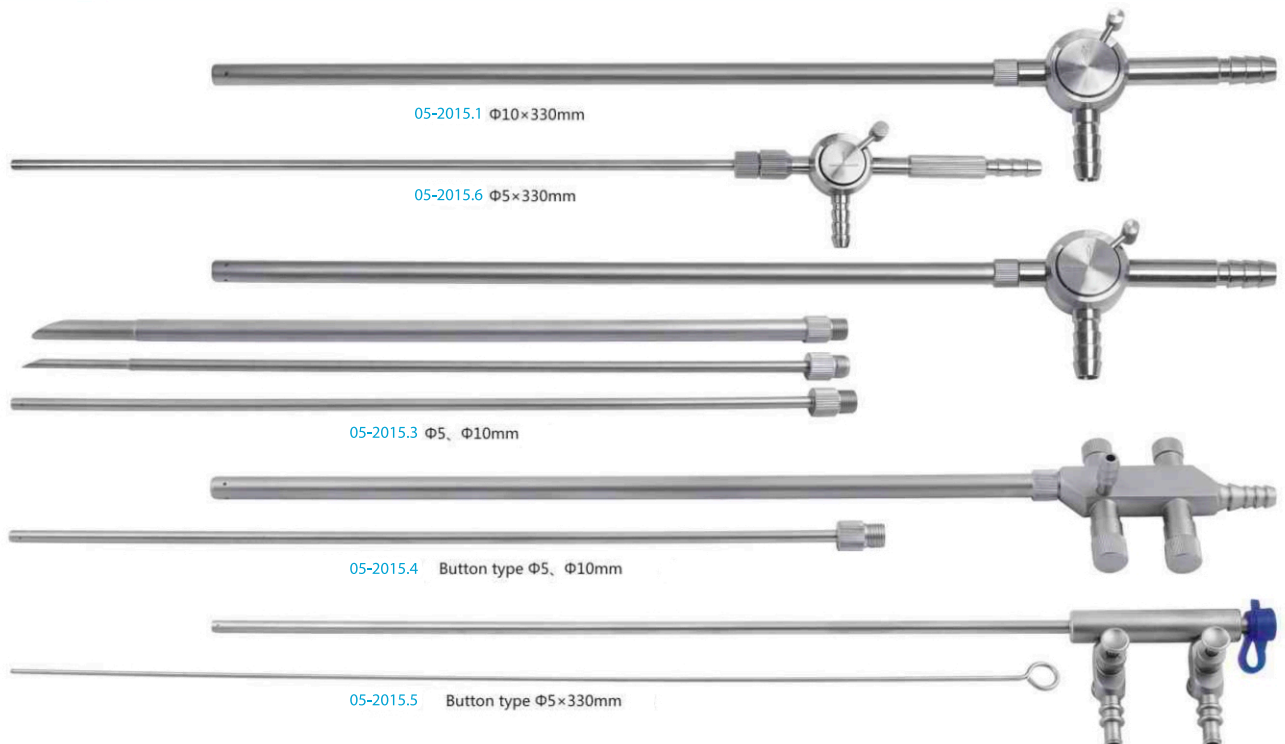


Veress needle
05-2014.1 $\Phi 2.5 \times 120\text{mm}$ 05-2014.3 $\Phi 2.5 \times 150\text{mm}$
05-2014.2 $\Phi 2.5 \times 100\text{mm}$

ELECTRIC COAGULATION INSTRUMENTS $\Phi 5 \times 330 \text{mm}$



SUCTION AND IRRIGATION TUBE



TROCAR SET



With protection
05-2016.3 Φ10.5mm
05-2016.4 Φ5.5mm
05-2016.7 Φ11mm



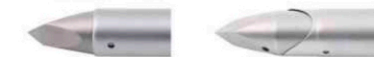
Spiral with protection
05-2016.3A Φ10.5mm
05-2016.4A Φ5.5mm



Cylindric
05-2016.5 Φ10.5mm 05-2016.6 Φ5.5mm
05-2016.8 Φ11mm 05-2016.9 Φ12mm
05-2016.10 Φ6mm



Cylindric, spiral
05-2016.5A Φ10.5mm
05-2016.6A Φ5.5mm



Multifunctional valve
05-2016.64 Φ5.5mm
05-2016.65 Φ10.5mm
05-2016.66 Φ11mm



Multifunctional valve(stainless steel)
05-2016.70 Φ11mm



Reducer(stainless steel)
05-2017.1 10mm/5 mm
05-2017.2 5mm/3mm



05-6001 Sealing cap 5mm 05-6002 Sealing cap 10mm



05-2017.8 (10/5) Reducer(10/5 mobile type)



Magnet
05-2016.12 Φ5.5mm
05-2016.13 Φ10.5mm
05-2016.14 Φ11mm
05-2016.15 Φ6mm
05-2016.16 Φ12mm
05-2016.19 Φ5.5mm Stryker



Spiral magnet
05-2016.17 Φ5.5mm
05-2016.18 Φ10.5mm
05-2016.24 Φ6mm



Magnet, with protection
05-2016.20 Φ5.5mm
05-2016.21 Φ6mm
05-2016.22 Φ10.5mm
05-2016.23 Φ11mm



Ball valve
05-2016.41 Φ5.5mm
05-2016.42 Φ6mm
05-2016.43 Φ10.5mm
05-2016.44 Φ11mm



Simple crossed sealing cap
05-2016.67 Φ6mm
05-2016.68 Φ10.5mm

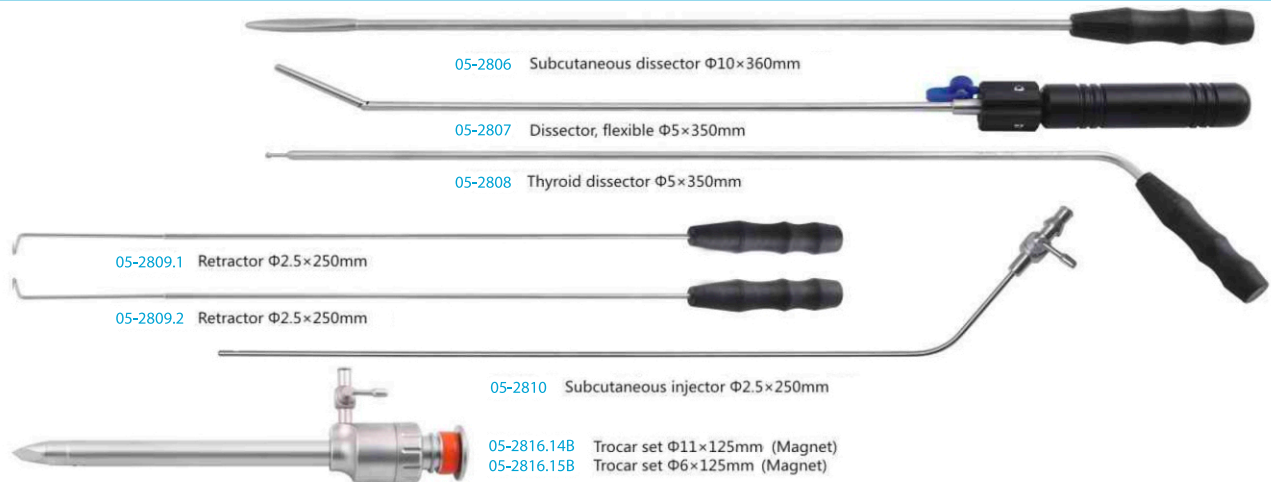


05-2017.4 Reducer (Engineering plastic)10mm/5mm

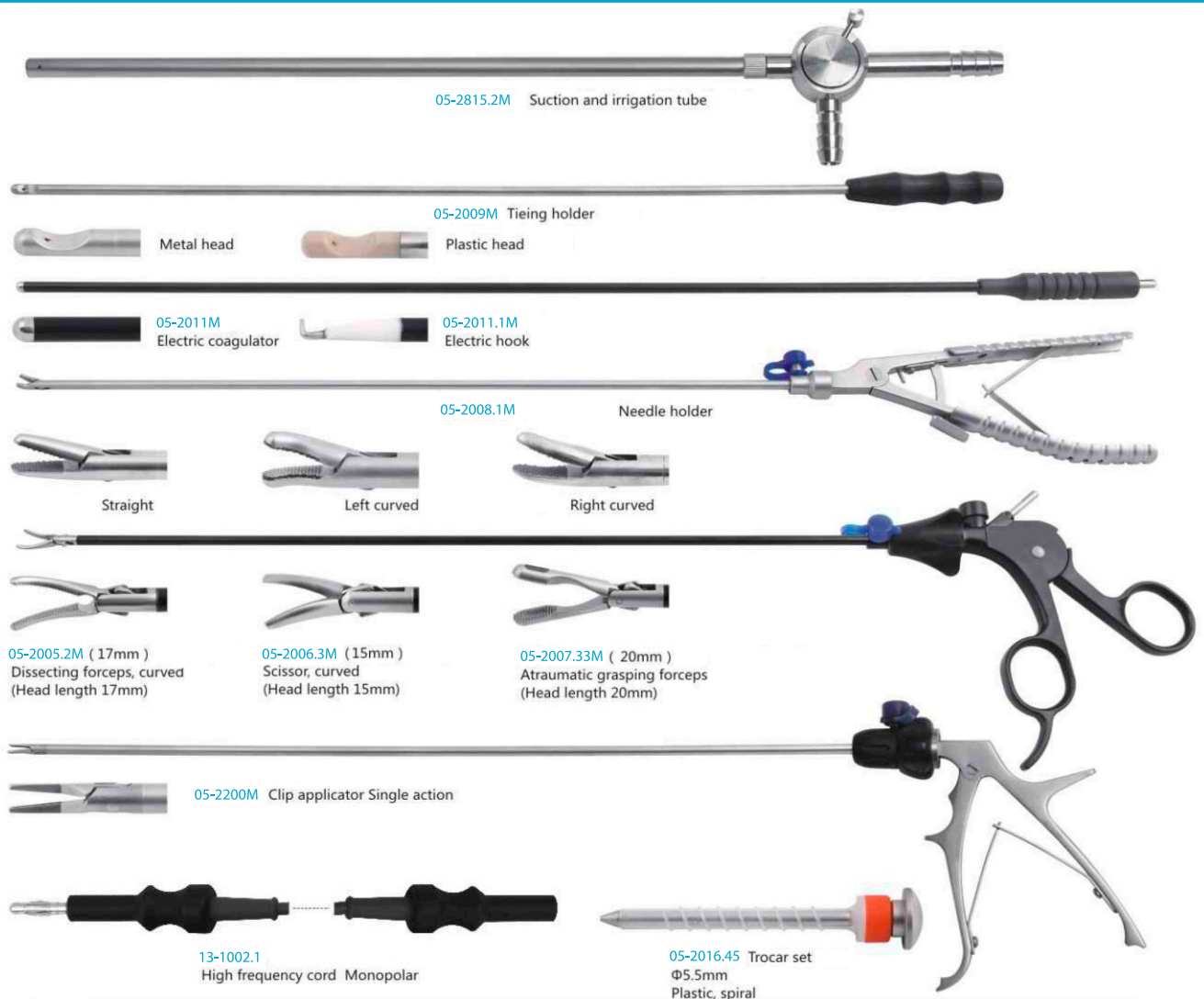


05-2017.5 Reducer (Engineering plastic button)10mm/5mm

THYROID INSTRUMENTS



$\Phi 5 \times 400$ mm SINGLE PORT UMBILICAL LAPAROSCOPY INSTRUMENTS



SINGLE PORT UMBILICAL LAPAROSCOPY INSTRUMENTS (CURVED)

05-0005 Endoscope 30° Φ5×302mm



05-2005.1W
Dissecting forceps, straight



05-2005.6W 90°
Dissecting forceps, 90° angled



05-2006.2W
Scissor, straight, Single action



05-2005.2W
Dissecting forceps, curved



05-2005.7W
Fixation grasping forceps, crocodile



05-2006.3W
Scissor, curved



05-2007.8W
Gallbladder grasping forceps rough toothed



05-2005.3W 30°
Dissecting forceps, 30° angled



05-2005.8W
Fixation grasping forceps, serrated



05-2006.4W
Scissor, hook, Single action



05-2007.9W
Gallbladder grasping forceps



05-2005.4W 45°
Dissecting forceps, 45° angled



05-2005.9W
Fixation grasping forceps, loop



05-2007W
Grasping forceps



05-2007.10W
Grasping forceps



05-2005.5W 70°
Dissecting forceps, 70° angled



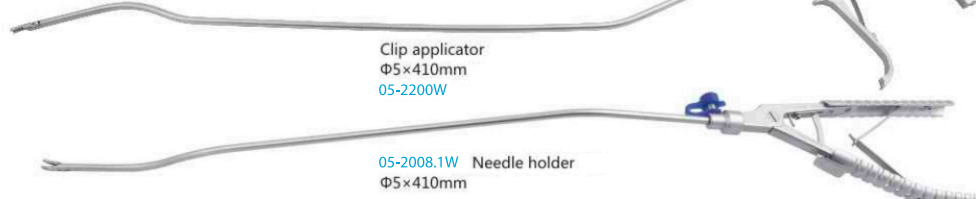
05-2006.1W
Scissor, straight



05-2007.5W
Atraumatic grasping forceps



Clip applicator
Φ5×410mm
05-2200W



05-2008.1W Needle holder
Φ5×410mm



05-2015.2W
Suction & Irrigation tube
Φ5×410mm



05-2011W Electric coagulator
Φ5×410mm



05-2011.1W Electric hook
Φ5×410mm



05-2016.12 Trocar set
Φ5.5mm Magnet

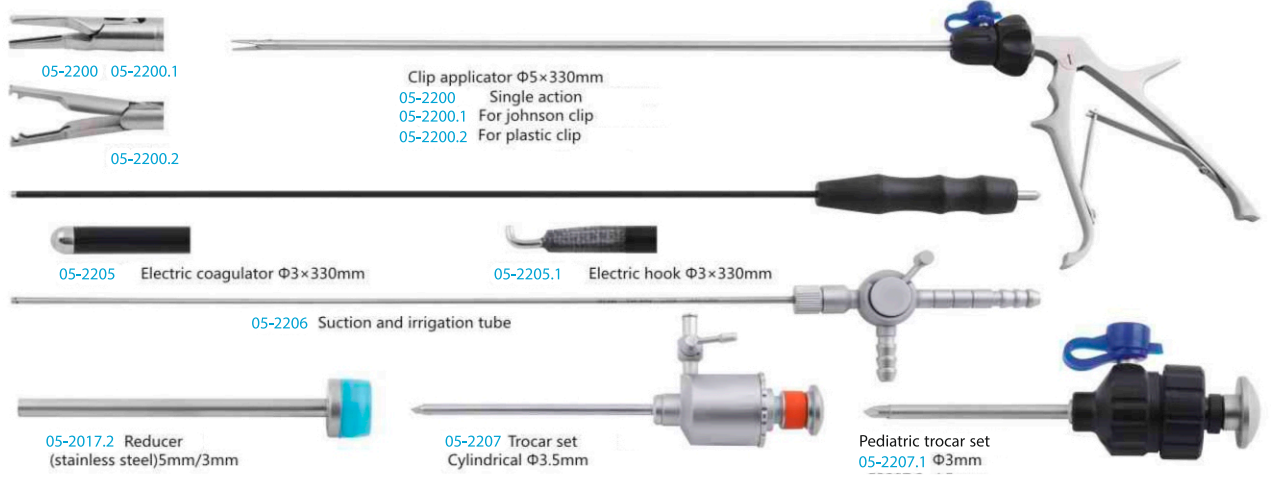


21-1001 Adaptor

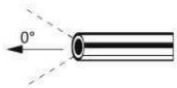


13-1002 High frequency cord

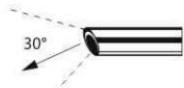
MINI LAPAROSCOPY INSTRUMENTS



THORACOSCOPY INSTRUMENTS

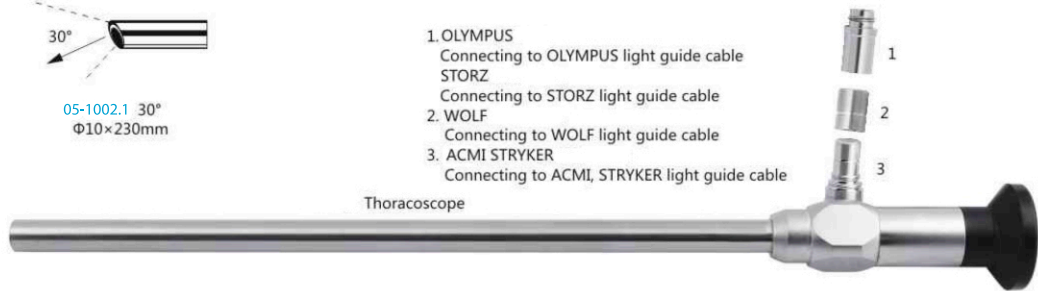


05-1001.1 0°
Φ10×230mm



05-1002.1 30°
Φ10×230mm

1. OLYMPUS
Connecting to OLYMPUS light guide cable
STORZ
2. WOLF
Connecting to WOLF light guide cable
3. ACMI STRYKER
Connecting to ACMI, STRYKER light guide cable



Thoracoscope



05-2018 (43mm)
Lung forceps(Head length43mm)
Φ10×230mm



05-7008 (21mm)
Grasping forceps, greeve teeth, with hole
(Head length21mm) Φ5×330mm



05-7005 (13mm)
Biopsy forceps spoon straight
(Head length 13mm) Φ5×330mm



05-7009 (13mm)
Biopsy forceps, with nail
(Head length 13mm) Φ5×330mm

05-7005.1
Biopsy forceps spoon left curved
(Head length 13mm) Φ5×330mm



05-7007 (13mm)
Grasping forceps, straight, serrated
(Head length13mm) Φ5×330mm



05-7010 (13mm)
Biopsy forceps, punch, single action
(Head length 13mm) Φ5×330mm

05-7007.1 (13mm)
Grasping forceps, curved, serrated
(Head length13mm) Φ5×330mm



05-7011 (13mm)
Grasping forceps, no tooth
(Head length 13mm) Φ5×330mm



05-2004.3 90°(33mm)
Dissecting forceps
(Head length 33mm) Φ10×230mm



05-7014 (25mm)
Scissor, curved
(Head length 25mm) Φ10×230mm



05-7024 (25mm) Esophageal forceps
(Head length 25mm) Φ5×250mm



05-7026 (46mm) Lung tumor forceps
(Head length 46mm) Φ5×300mm



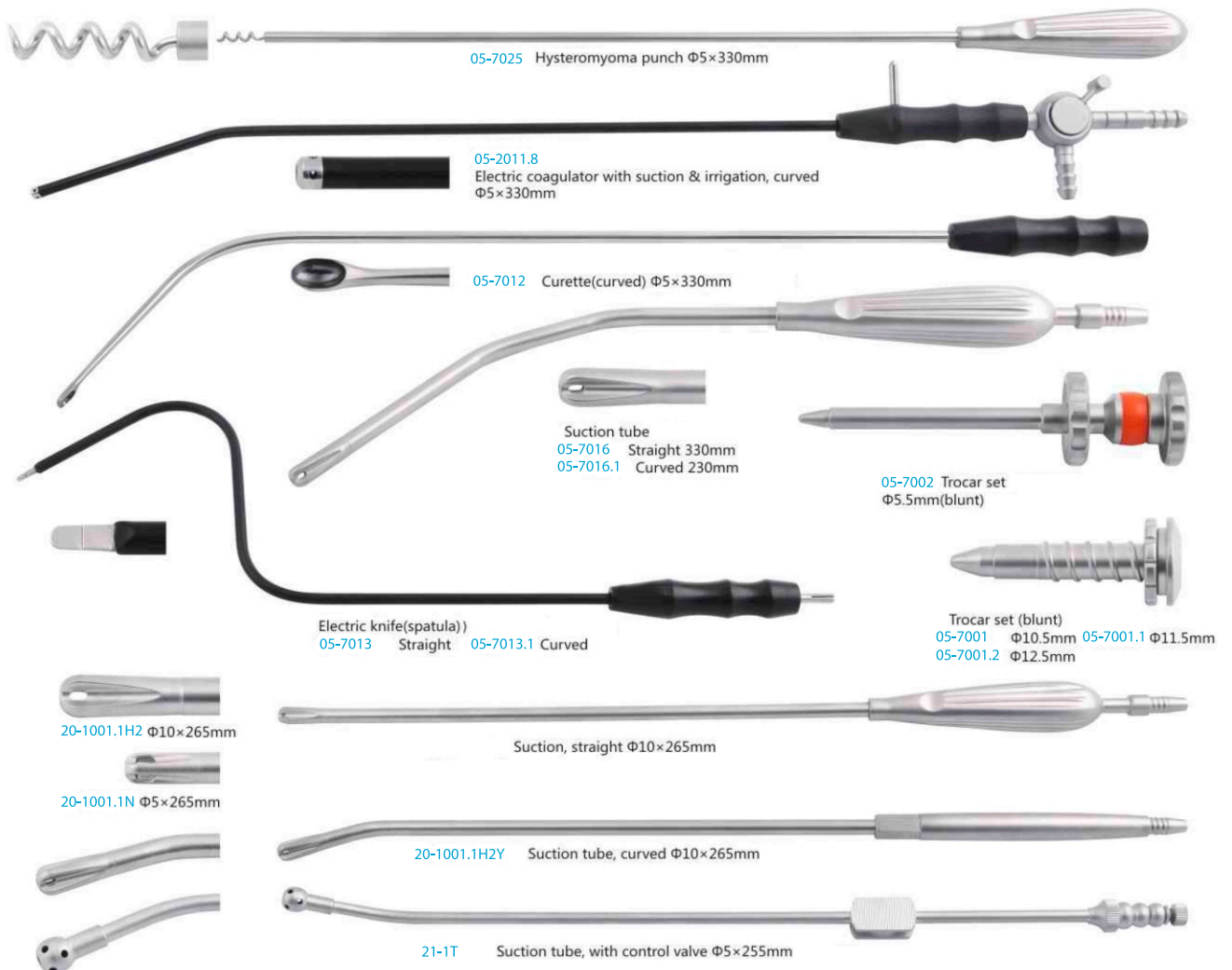
05-7018 (100mm) Oval forceps
(Head length 100mm) Φ10×230mm



05-7006
Biopsy forceps (spoon left curved, single action)
Φ10×330mm

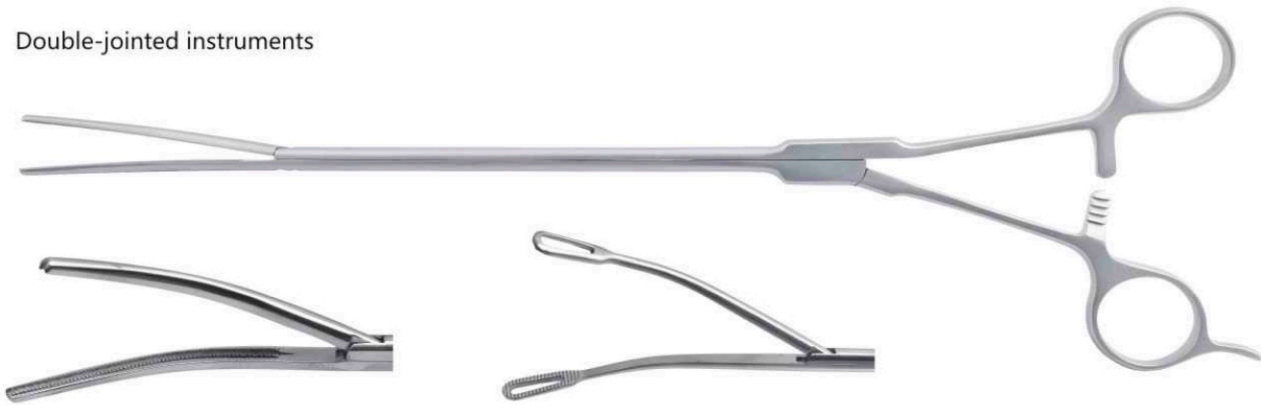


THORACOSCOPY INSTRUMENTS



THORACOSCOPY INSTRUMENTS

Double-jointed instruments



Hemostatic forceps $\Phi 5 \times 330\text{mm}$

- 05-7028 15mm
- 05-7028.1 20mm
- 05-7028.2 25mm
- 05-7028.3 25mm
- 05-7028.4 Free forceps

Oval forceps $\Phi 5 \times 330\text{mm}$

- 05-7029 8mm
- 05-7029.5 12mm
- 05-7029.6 10mm
- 05-7029.7 8mm
- 05-7029.8 10mm
- 05-7029.9 12mm



Biopsy forceps (lymph)
05-7030 $\Phi 5 \times 330\text{mm}$



Scissor
05-7031 straight
05-7031.1 curved



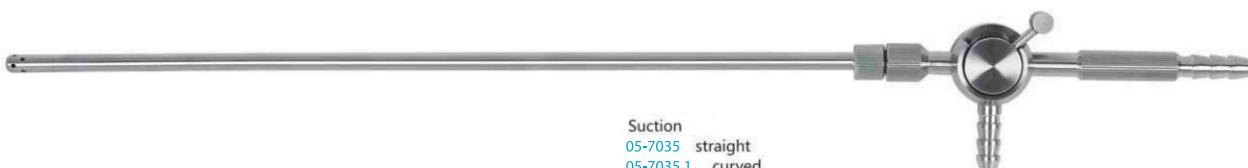
Grasping forceps
05-7032 8mm, straight
05-7032.1 8mm, curved



Needle holder
05-7033 straight
05-7033.1 curved



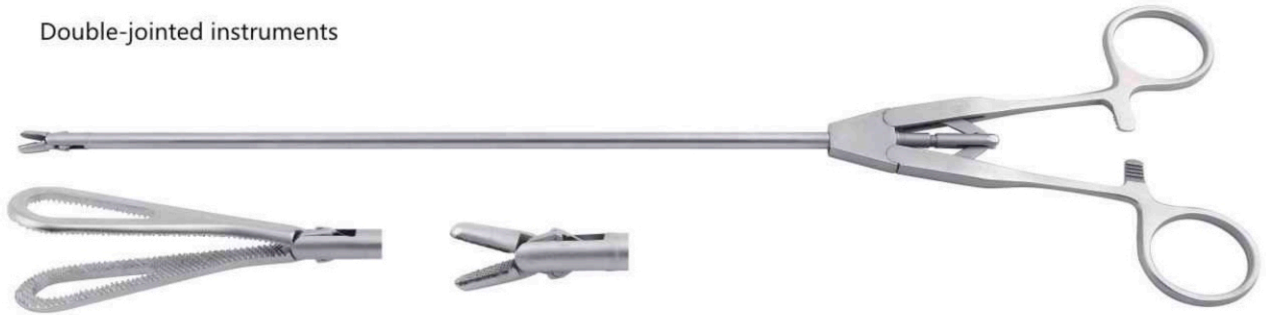
Suction
05-7034 straight
05-7034.1 curved



Suction
05-7035 straight
05-7035.1 curved

THORACOSCOPY INSTRUMENTS

Double-jointed instruments



05-2018A6G
Lung forceps $\Phi 5 \times 300\text{mm}$

05-2005.8A
Needle holder $\Phi 5 \times 230\text{mm}$



05-2005.3G Dissecting forceps
 $\Phi 5 \times 250\text{mm}$

05-2005.3G2 Grasping forceps
 $\Phi 5 \times 270\text{mm}$



05-2005.3G4 Grasping forceps
 $\Phi 5 \times 270\text{mm}$

05-2005.5G Grasping forceps
90° $\Phi 5 \times 230\text{mm}$



05-31104.1 Straight scissor
 $\Phi 5 \times 250\text{mm}$

05-31104.2B Scissor, curved
 $\Phi 5 \times 250\text{mm}$



05-2005.11AUC
Hemostatic forceps, curved

05-2005.12K1
Lymph tweezers, curved $\Phi 10\text{mm}$



HIGH FREQUENCY CORD



CAMERA SYSTEM



01-2500.06 Full HD Camera system (1920x1080)
USB flash disk support for storage Full HD video and images



01-2500.04 Single Chip Camera System with USB
System for video and images.

COUPLER

Coupler, Straight



| | Focal length |
|-----------|--------------|
| 01-2513.1 | F18 |
| 01-2512.3 | F22 |
| 01-2513.3 | F25 |
| 01-2512.1 | F27 |
| 01-2517 | F28 |
| 01-2512.5 | F32 |
| 01-2512.6 | F35 |

COLD LIGHT SOURCE

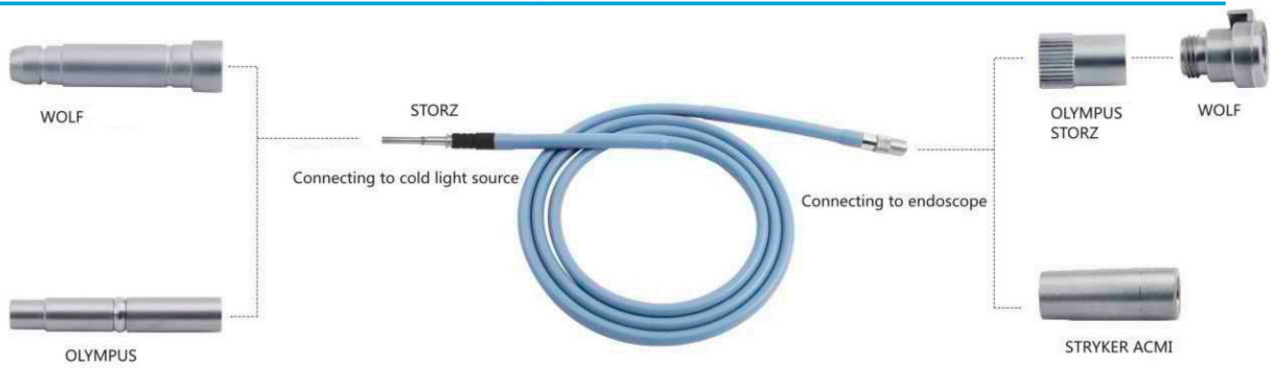


21-5040.1H LED



21-5007.6
Portable cold light source (with charger)

LIGHT GUIDE CABLE DIAGRAM



| | |
|-----------|-----------------------|
| 21-5010 | Φ4.5×2000mm |
| 21-5010.1 | Φ4.5×1800mm |
| 21-5010.2 | Φ4.5×2000mm Autoclave |
| 21-5010.3 | Φ4.5×2000mm plasma |
| 21-5012 | Φ4.5×1800mm |
| 21-5013 | Φ1.8×1700mm |
| 21-5014 | Φ2.5×1700mm |
| 21-5016.1 | Φ1.8-Φ2.5 double head |
| 21-5017 | Φ2.5 double head |
| 21-5018.2 | Φ4.5×2300mm, plasma |
| 21-5018 | Φ4.5×2300mm |
| 21-5018.1 | Φ4.5×2300mm Autoclave |
| 21-5020 | Φ4.5×2500mm |
| 21-5020.2 | Φ4.5×2500mm Autoclave |
| 21-5020.3 | Φ4.5×2500mm, plasma |

| | |
|-----------|-----------------------------|
| 21-5021 | Φ4.5×3000mm |
| 21-5021.1 | Φ4.5×3500mm |
| 21-5021.2 | Φ4.5×3500mm Autoclave |
| 21-5021.3 | Φ4.5×3000mm, plasma |
| 21-5022 | Φ5×2500mm |
| 21-5023 | Φ5×3000mm |
| 21-5023.1 | Φ5×3000mm Autoclave |
| 21-5023.3 | Φ4.5×3000mm, plasma |
| 21-5023.5 | Φ5×3000mm, plasma |
| 21-5024 | Φ5×3000mm OLYMPUS |
| 21-5024.1 | Φ5×3000mm OLYMPUS Autoclave |
| 21-5024.2 | Φ5×3000mm OLYMPUS, plasma |

ADAPTOR



05-2151 CO₂ 30
CO₂ Insufflator 30L/min



06-4002
Fluid control uteromat(Automatic)

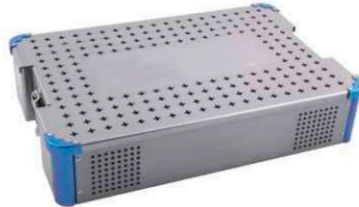


06-4003 Irrigation pump
Flow rate : 0.1-1L/min

MEDICAL INSTRUMENTS STERILIZING BOX



01-0000.1
For Cystoscopy set
530×230×90mm



01-0000.2
For Resectoscope set
420×275×90mm



02-0000.3
For Sinuscopy instruments
380×210×70mm



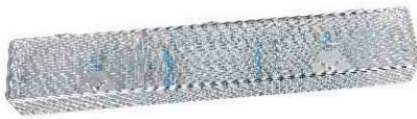
02-0000.2
For Sinuscopy set
360×255×90mm



06-0000
For electric hystera-cutter
560×275×140mm



190001000
Endoscope Instruments in common use
550×245×70mm



01-0000.5
Sterilizing box for Ureterorenoscopy
720×120×70mm



01-0000.7
For Cystoscopy set
390×80×52mm, nets



06-0000.1
Sterilizing box for Uterine manipulator
500×180×70mm, nets



06-0000.2
Sterilizing box for Hysteroscopy
720×120×55mm, nets



05-0000.3
Sterilizing box for Laparoscopy
460×80×52mm, nets



05-0000.4
reticular sterilizing box
100×100×55mm, nets



190001000a
Endoscope Instruments in common use
550×245×70mm



02-0000
For endoscope
280×70×50mm



02-0000.5
For endoscope, autoclavable
255×71×36mm



05-0000
For laparoscope
450×90×45mm



02-0000.4
For endoscope
255×71×36mm



01-0000.4
For endoscope, autoclavable
390×71×36mm